

# Wireless Reporting and Monitoring Stand-by Emergency LED Driver

# 21W

## General Product Information:

Anz254 2019R3

- Durable heavy duty steel housing
- 120/277VAC universal input voltages
- Maintenance free NiMH battery, environmentally safe
- UL Listed
- Two state-of-the-art reporting and testing system
- Wireless Network and Full Auto Self-Diagnostic
- Minimum of 90 minutes when lost of AC power
- Suitable for damp location applications
- Programmable output with great flexibilities
- Meet CEC. Title 20 energy efficiency requirement



9.44x2.36x2.40 in.

iES-H021-HM

## Input Specifications:

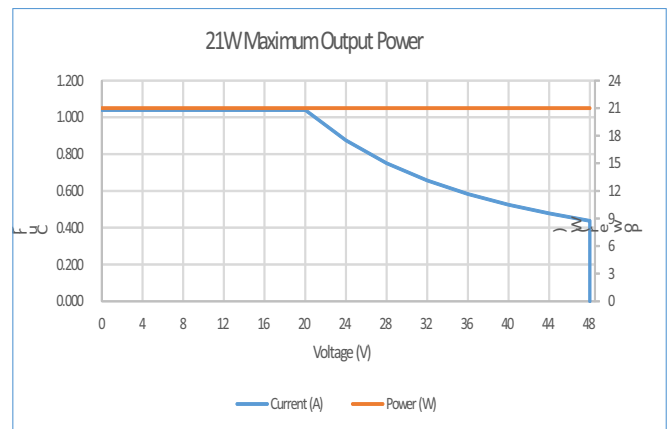
- Input Voltage: 120 - 277VAC
- Freq. Range: 50 - 60 Hz
- Input Power: Max. 100mA; 5.9W

## Output Specifications:

- Output Voltage: 12 - 48VDC
- Output Current: 1040mA - 435mA, Programmable
- Max. Wattage: 21 Watts

## Environmental Specifications:

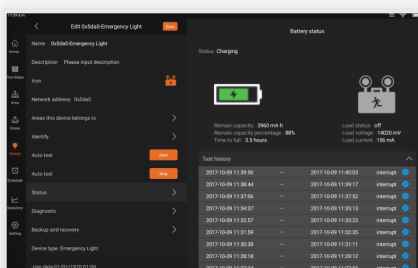
- Ambient Operating Temp.: 0° - 50° C
- Product Safety Approval: UL/cUL Listed
- EMI Compliance: FCC Part 15, Class A



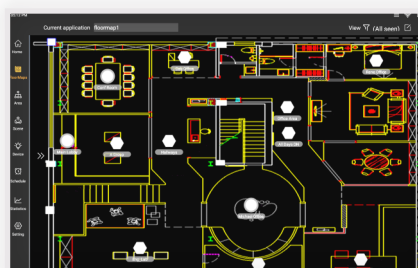
Model No.	Emergency Power	Output Range Vdc	Factory Default Output mA	Max. Output W	SW1	SW2	Sw3	SW4
iES-H021L-HMx	21.0W	24.0	875	21	On	Off	Off	Off
		36.0	580	21	Off	On	Off	Off
		42.0	500	21	Off	Off	On	Off
		48.0	435	21	Off	Off	Off	On

Above Chart are factory standard outputs

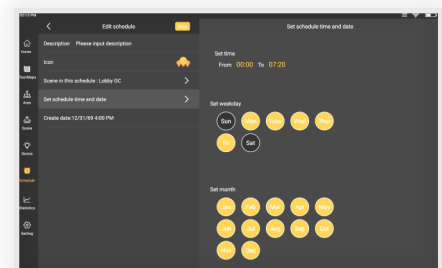
- A peace of mind
- Realtime battery health statuses
- Device map for easy accessing
- Programmable output reduce SKU
- Cost savings with group testing command



Realtime BatteryStatus



Interactive Mapping with full Control



Synergistic Schedule

# Wireless Reporting and Monitoring Stand-by Emergency LED Driver

# 21W

Anz254 2019R3

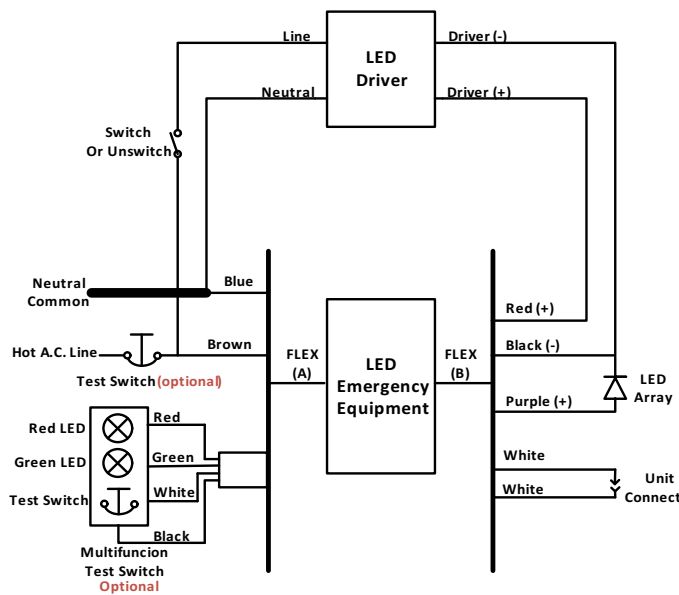
## Auto Testing - Self Diagnostic Operation

This unit automatically performs a 90-second discharge test every month, and a full 90-minute discharge test once a year. During routine testing, the self-testing emergency driver simulates an AC power failure causing the unit to automatically switch to emergency mode. The unit will monitor the operation of the lighting fixture, internal battery voltage, discharging current, and emergency duration. If the emergency system functions properly, then the unit will return to normal mode. Should the unit detect any problems, the indicator light will flash continually until the condition has been corrected and the unit passes the next test (see LED indicator guide).

- If the condition has not been corrected by the next scheduled test, the unit will once again detect the failure and signal the failure indicator.
- To cancel a test, press and hold the Multifunction Button ONCE for less than 1 seconds.
- To perform manual self-test push and hold Multifunction button for minimum of 3 seconds. Once button is released emergency driver will perform the 90 second diagnostic test. After Self-testing is completed, the indicator light will flash per testing results (see LED indicator guide).
- You can configure the Auto Testing in to Wireless Network version by flip the deep switch and adding antenna at any time. The unit will join the network to perform remote testing and reporting functions.

**NOTE:** For short-term testing of the emergency function, the battery must be charged for at least one hour. The emergency driver must be charged for at least 24 hours before conducting a long-term test.

## Field Installation Wiring Diagram



## LED Indicator Guide

STATUS INDICATOR		PROBLEM	CORRECTIVE ACTION
Green Light	Red Light		
ON steady	OFF	NONE	None, Unit is fully charged and working correctly.
Flashing S (2s interval)	OFF	NONE	None, Unit is in Charging mode.
OFF	ON steady	NONE	None, AC is lost and unit is in Emergency Discharging mode.
OFF	Flashing S (2s interval)	NONE	None, Unit is in Self testing mode
Flashing F (0.5s interval)	OFF	NONE	Press test button to message. Unit is past Self testing.
OFF	Flashing F (0.5s interval)	Self test Fail	1. Check the wiring. 2. Allow unit to charge for 24 hours. Perform manual test. If failure mode continues, emergency driver should be replaced.
OFF	OFF	Battery Failure	1. Check the battery connector. 2. If battery connector is good, the battery emergency driver should be replaced.