

# LED Driver

# Product Specifications

LF1240-XX-Cnnnn Series Switch-Mode LED Driver	
Total Power	240 Watts
Input Voltages	100-277VAC
Number of Outputs	One

ANZ#: Z226, July 27, 2015

## SPECIAL FEATURES

- UL8750 cUL and CE recognized
- Various DC output available, max 240-Watts
- Suitable for dry, damp or wet locations
- Designed for outdoor or indoor applications
- Aluminum case suitable for low to high bay LED luminaires and architectural lights
- Active PFC to conserve power consumption
- PWM, 0-10V and VR dimmable

## ENVIRONMENTAL

Operating temperature: -40 to 50 °C; Tc: 90 °C  
 Storage temperature: -40 to 85 °C  
 Humidity (Non-Condensing): 5% to 95%  
 Cooling: Convection  
 Vibration Frequency: 5 to 50 Hz  
 MTBF: >100,000 Hours at full load and 25°C ambient conditions (MIL-217F)  
 EMC: Compliant to 47CFR, Part 2, Part15 and Cisp PUB, 22 Class B

## ELECTRICAL SPECIFICATIONS

Input range Full range 100 ~ 277VAC / 3.0A ~ 1.50A  
 Frequency 47 to 63 Hz  
 PF & THD >0.92 PFC, <20% THD, 115~230VAC; min. 40% load  
 >0.92 PFC, <20% THD, 277VAC; min. 60% load  
 DC output ripple 5% p-p (24V~88VDC); 10% p-p (150, 220VDC)  
 Inrush current < 5.0A/115VAC, < 10.0A/230VAC, cold start, 25° C  
 Surge Immunity 6KV Combinational wave  
 Turn-on time < 1 sec.  
 Efficiency > 92% at 230VAC maximum load  
 EMI filtering 47CFR, Part 2, Part 15 and Cisp PUB, 22 Class A  
 Maximum power 240W  
 Load regulation ±5% (CC and CV mode)  
 Leakage Current 0.75mA @ 230VAC  
 Hold up time Half cycle minimum at 120 VAC and 80% of rated load  
 Protection Over-voltage, Over-current, Over-Temp and Short circuit protection: Auto-recovery

## SAFETY

UL UL8750 / cUL Isolated ; E326521  
 CE Certified / EN61000-3-2 Class C; EN55015 ; EN61547  
 EN61347 ; EN61000

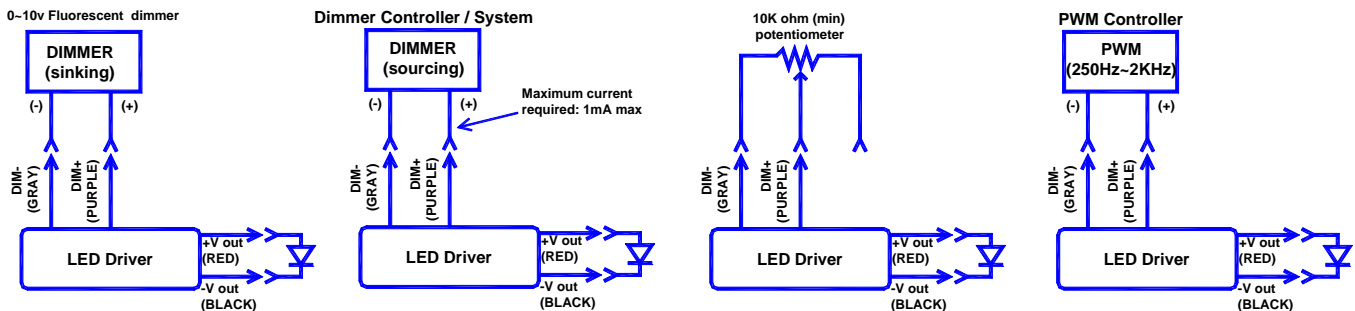
## MODEL INFORMATION – SINGLE OUTPUT

Model Numbers	Constant Voltage Mode		Constant Current Mode		Max. output (Watts)
	Vdc (Adjust range)	Min. ~ Max. (mA)	I mA(Adjust range)	Min. ~ Max (Vdc)	
LF1240-24	24 (22 ~ 27)	200 ~ 10000	N/A		240
LF1240-36	36 (32 ~ 40)	120 ~ 6670	3300 ~ 6670	20 ~ 40	240
LF1240-48	48 (44 ~ 56)	100 ~ 5000	2500 ~ 5000	26 ~ 56	240
LF1240-88	N/A		1500 ~ 3000	45 ~ 88	240
LF1240-150	N/A		800 ~ 1750	75 ~ 150	240
LF1240-220	N/A		550 ~ 1200	110 ~ 220	240

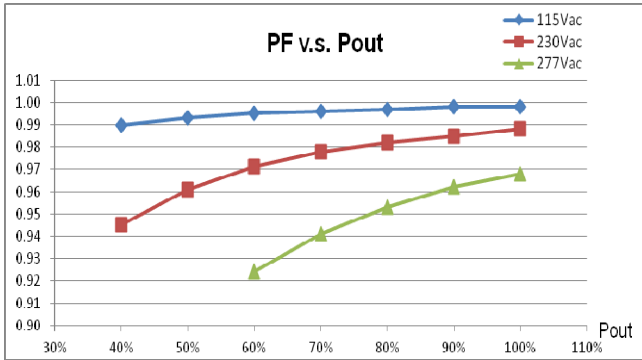
Notes:

“XXX” = DC output voltage; “Cnnnn” = “C” constant output or blank for constant voltage output; ”nnnn” = output current in mA; “DDDD” = dimming function (optional or blank) 010V or PWM or VR. (Gray/D-; Purple/D+; Yellow/12Vdc/20mA)

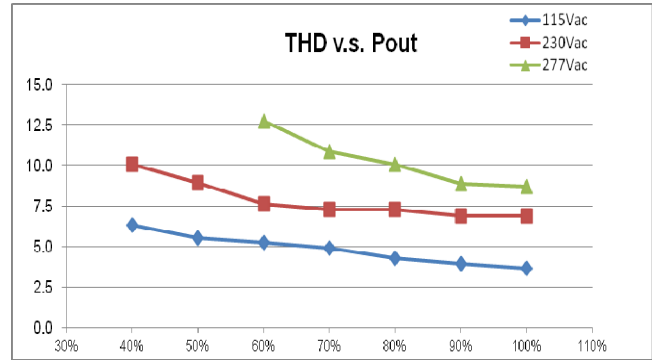
## DIMMING WIRING DIAGRAM



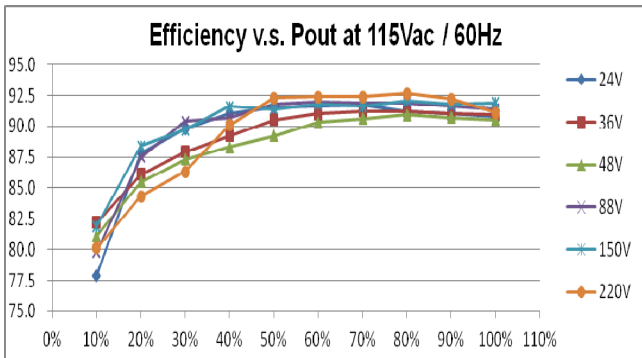
### PF vs. Pout



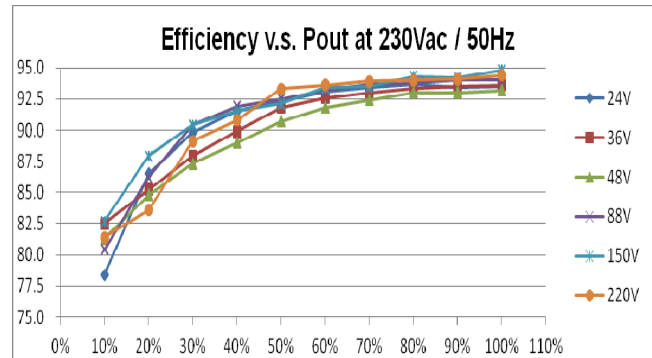
### THD vs. Pout



### Efficiency vs. Pout 115Vac/60Hz



### Efficiency vs. Pout 230Vac/50Hz



### MECHANICAL DRAWING LF1240-XXX-Cnnnn-DDDD

“XXX” = DC output voltage; “Cnnnn” = “C” constant output or blank for constant voltage output; ”nnnn” = output current in mA; “DDDD” = dimming function (optional or blank) 010V or PWM or VR. (Gray/D-; Purple/D+; Yellow/12Vdc/20mA)

