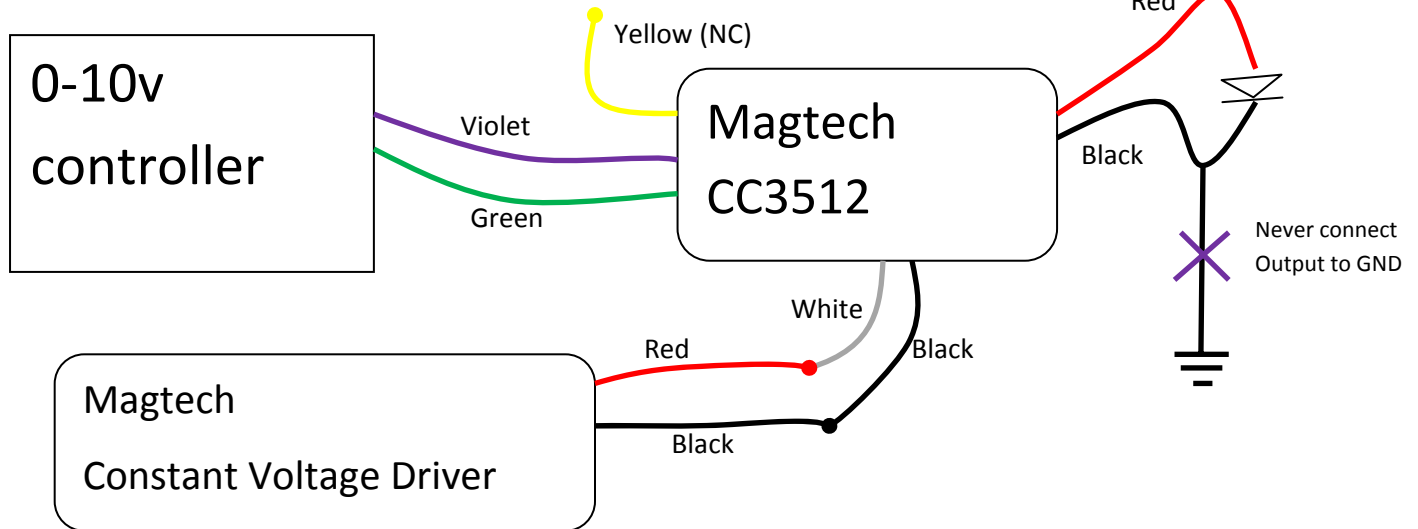
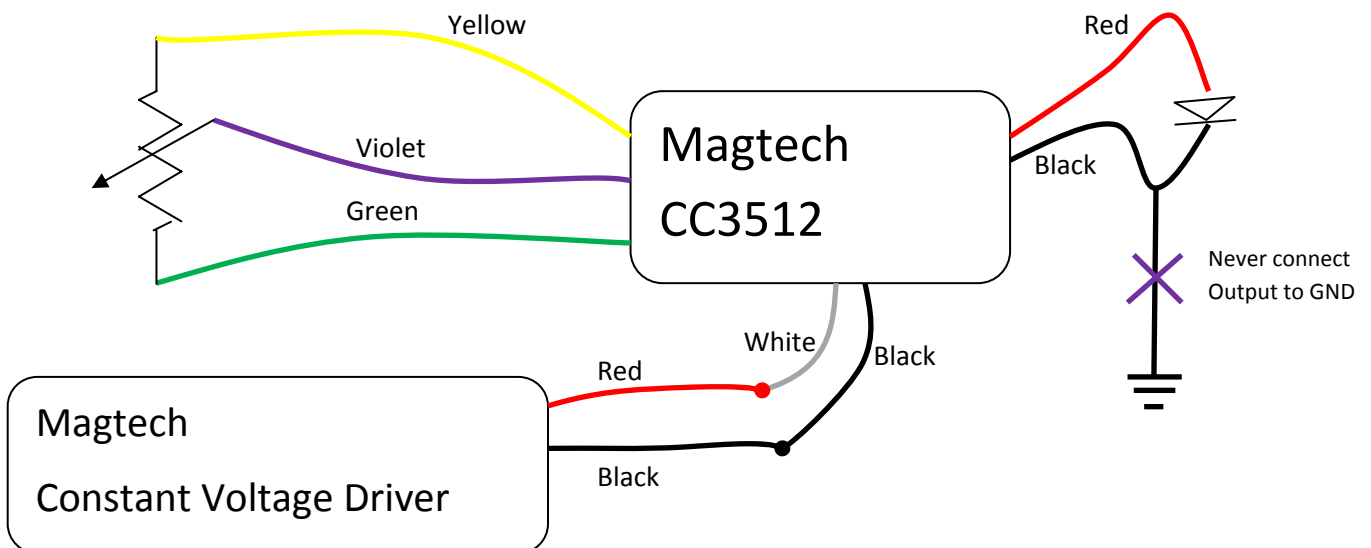


CC3512 Application note

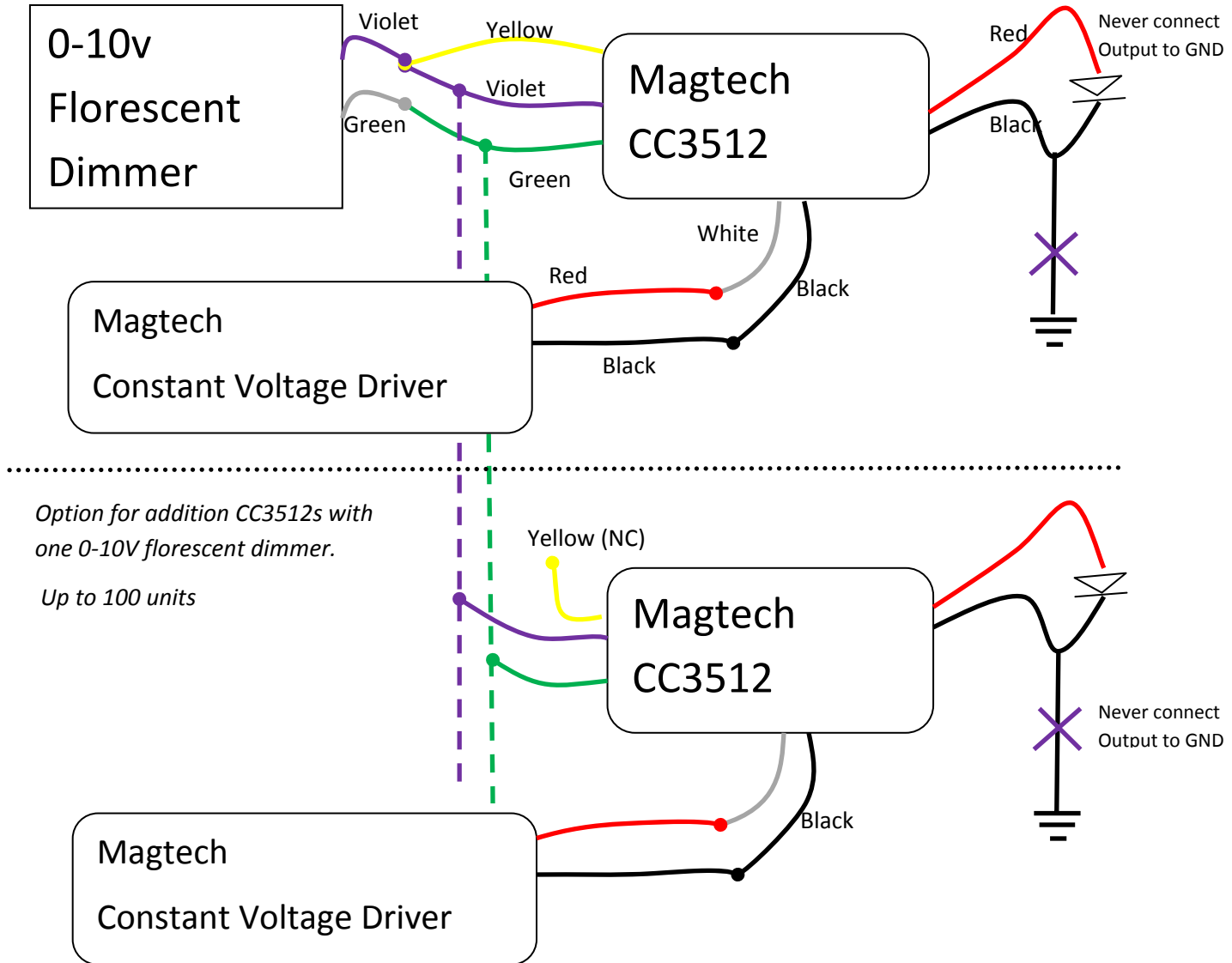
Using Magtech CC3512 with 0-10V controller:



Using Magtech CC3512 with potentiometer:



Using Magtech CC3512 with 0-10V florescent dimmer:



Disclaimer:

All of the above diagrams are for reference use only. Please make sure to comply with NEC code during installations. If you have any other questions, please feel free to call our customer service for more information.