

Battery Charger

Lead-Acid Battery Charger Switch-Mode Design

Total Power	100 Watts
Input Voltages	100-240 VAC
Number of Outputs	One

Product Specifications

ANZ#: Z041, August 31, 2001

SPECIAL FEATURES

- Compact and economical
- High efficiency up to 80%
- Full range AC input
- Regulated output
- Built in EMI filtering complies Class B
- Anti-pole protection
- Overload and short circuit protection

ELECTRICAL SPECIFICATIONS

Input range	100 to 240 VAC
Frequency	47 to 63 Hz
Inrush current	40.0 Amps maximum at 220Vac
Hold-up time	16.7mS
Efficiency	77 % min.
EMI filtering	FCC part 15J class B CISPR 22 class B
Maximum power	100W
Line regulation	±1%
Load regulation	±1%
Hold up time	16mS at full load
Protection	Short circuit: Relay open ; overload protection: automatic power limited.

ENVIRONMENTAL

Operating temperature:	0 to 50 ° C
Storage temperature:	-20 to 85 ° C
Humidity (Non-Condensing):	5 to 95%
Cooling	Convection
Vibration Frequency:	5 to 50 Hz
Direction:	X, Y and Z axis
MTBF:	>100,000 Hours at full load and 25°C ambient conditions

SAFETY APPROVALS

UL/CUL UL1012
CE



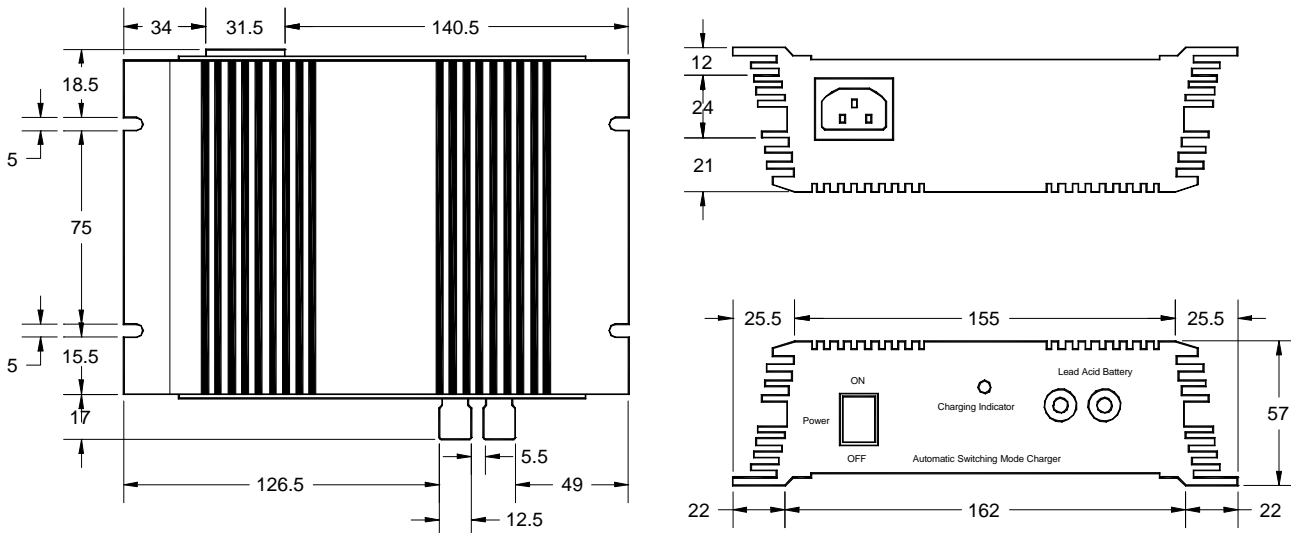
ORDERING INFORMATION

Model	O/P Volt.	Min. (A)	Rated (A)	Max. (A)	Ripple & Noise	Line Reg.	Load Reg.	Eff. % Min.	OVP Trip Point
RP1100C-12F	V1: +14.4V	0.0	7.0	8.0	100mVp-p	± 1%	± 1%	77 %	--
RP1100C-24F	V1: +28,.8V	0.0	3.5	4.0	100mVp-p	± 1%	± 1%	80 %	--

1. Ripple peak-to-peak with 20MHz bandwidth and a capacitor, 47uF/50V, cross-connected at testing point.
2. Load regulation is measured from 20% to 100% of rated load at 110VAC input.

MECHANICAL DRAWINGS

Dimension: 206 x 136 x 57 mm (LxWxH)



1. Specification subject to change without notice.
2. All dimensions are in mm.